

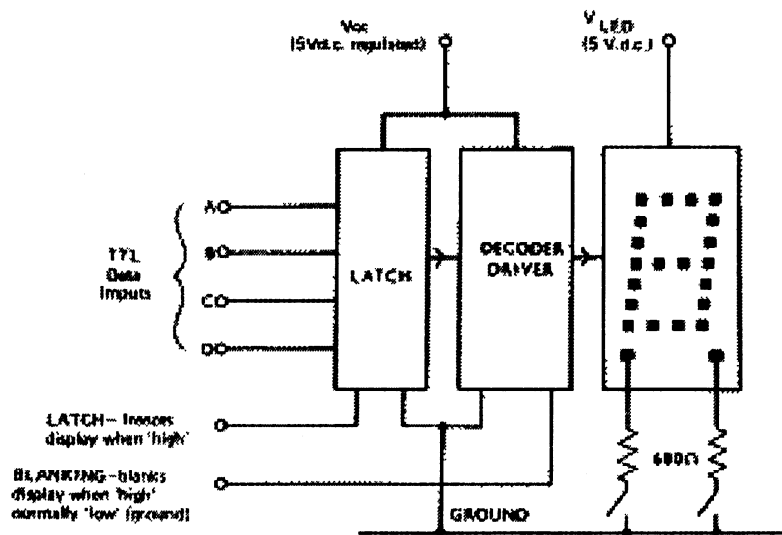
PIN CONNECTIONS (TOP VIEW)

Texas Instruments

A red (16-state) display incorporating a TTL compatible four bit latch, decoder and display driver. The 4 by 7 LED dot format gives easy-to-read rounded numerals.

Displays 0 to 9 and A to F with left- and right-hand decimal points. 14-pin d.i.l. package. Suitable decade counters 7490 and 74192 TTL, in the Semiconductors - Digital ICs section. Suitable socket **447-314** (see Semiconductors - Heatsinks/Sockets/Accs. section). Display bezels are available.

connections



characteristics

Operating temperature range: 0°C to +70°C. Logic supply voltage: 5 V d.c. regulated. Logic current: 60 mA typ. 90 max. Display supply voltage: 5 V d.c. Display current: 45 mA typ. 90 max.