

Gold Bonded

1N34A

Germanium Diodes

Optimized for Radio Frequency Response

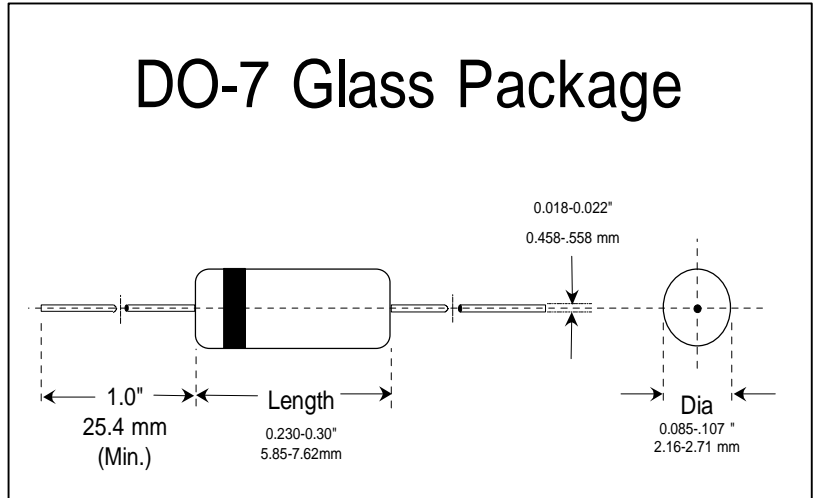
Can be used in many AM, FM and TV-IF applications, replacing point contact devices.

### Applications

- AM/FM detectors
- Ratio detectors
- FM discriminators
- TV audio detectors
- RF input probes
- TV video detectors

### Features

- Lower leakage current
- Flat junction capacitance
- High mechanical strength
- At least 1 million hours MTBF
- BKC's Sigma-Bond™ plating for problem free solderability



Absolute Maximum Ratings at T<sub>amb</sub> = 25 °C

Parameter	Symbols	Min.	Max.	Units
Peak Inverse Voltage (Repetitive), Measured @ I <sub>R</sub> = 1 mA	PIV	**	65	Volts
Peak Forward Surge Current Non-Repetitive, t = 1 Second	I <sub>FSM</sub>		0.5	Amps
Peak Forward Surge Current Repetitive	I <sub>FSR</sub>		200	mA
Average Rectified Forward Current	I <sub>O</sub>		50	mA
Operating and Storage Temperatures	T <sub>J&amp;STG</sub>	-55	+75	°C

Electrical Characteristics at T<sub>amb</sub> = 25 °C

Parameter	Test Conditions	Symbols	Min.	Max.	Units
Forward Voltage Drop	I <sub>F</sub> = 5.0mA	V <sub>F</sub>		1.0	Volts
Reverse Leakage	V <sub>R</sub> = 10 Volts	I <sub>R</sub>		30	µA
	V <sub>R</sub> = 50 Volts			500	µA
Breakdown Voltage	I <sub>r</sub> = 1.0 mA	PIV	65		Volts

This datasheet has been download from:

[www.datasheetcatalog.com](http://www.datasheetcatalog.com)

Datasheets for electronics components.