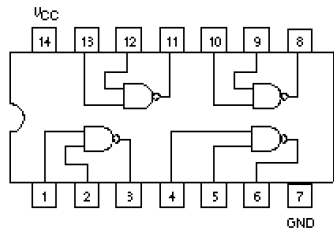


LOGIC CHIP PIN OUTS

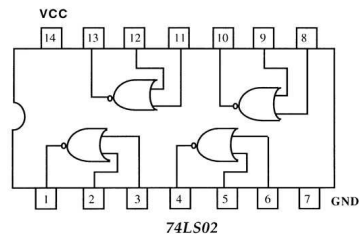
74LS00

Quad 2 I/P NAND Gates



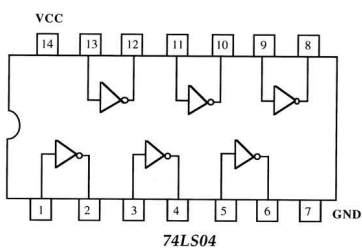
74LS02

Quad 2 I/P NOR Gates



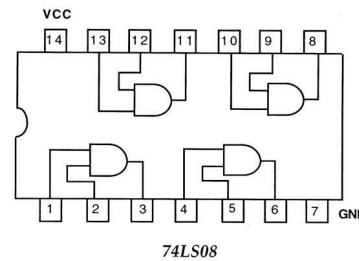
74LS04

HEX Inverters



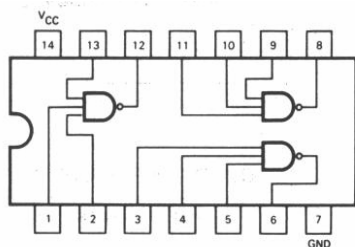
74LS08

Quad 2 I/P AND Gates



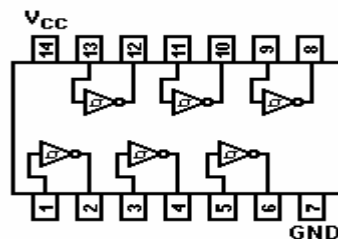
74LS10

Triple 3 I/P NAND Gates



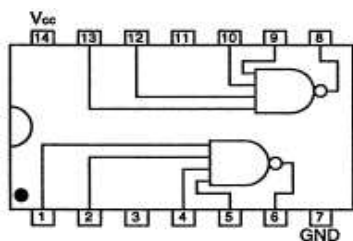
74LS14

HEX Inverters with schmitt trigger I/Ps



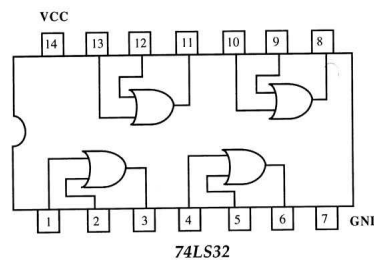
74LS20

Dual 4 I/P NAND Gates



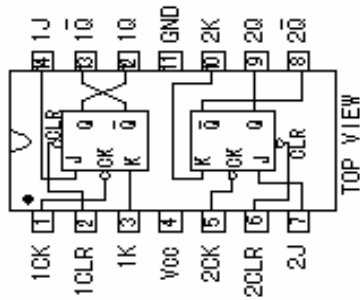
74LS32

Quad 2 I/P OR Gates



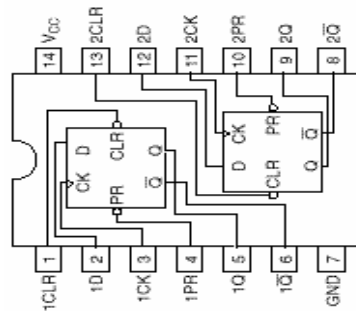
74LS73

Dual Negative Edge Triggered J-K Flip-Flop with Reset



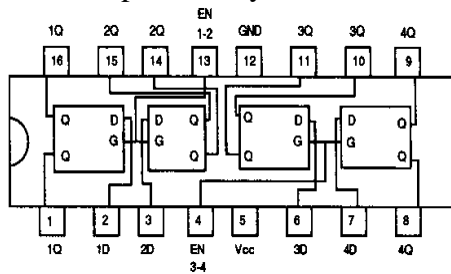
74HC74

Dual D-type Flip-Flop with Set/Reset



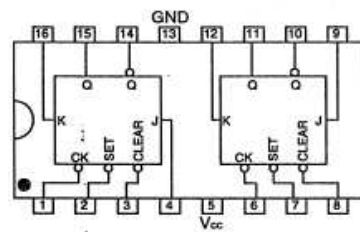
74LS75

Quad Bi-Stable Transparent Latches with Complementary O/Ps



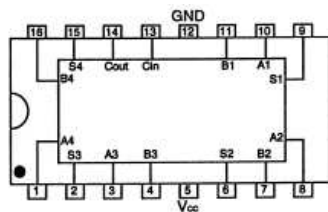
74LS76

Dual J-K Flip-Flop with Set/Reset



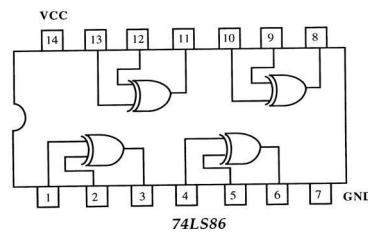
74LS83A

4bit full adder



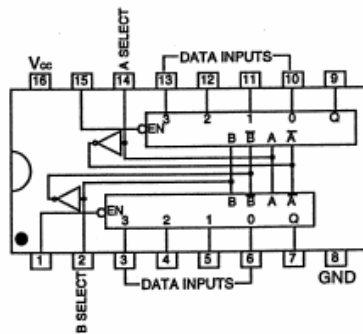
74LS86

Quad 2 I/P XOR Gates



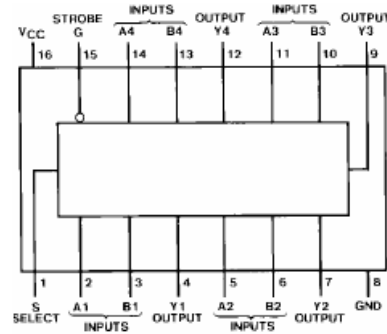
74LS153

Dual 4 to 1 line Data Selector/Multiplexer



74LS157

Quad 2 to 1 Line Data Selector/Multiplexer



74LS393

Dual 4bit Counter with reset

